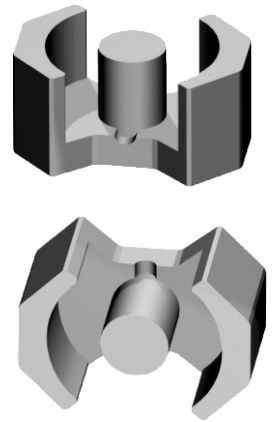
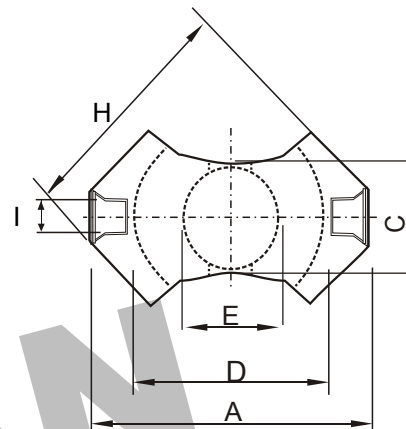
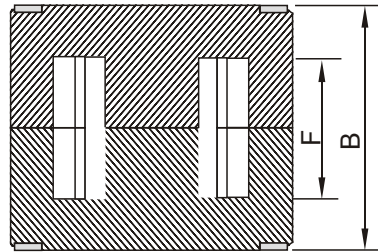


**Dimension: (UNIT:mm)**

|   |              |
|---|--------------|
| A | 36.75 ± 0.65 |
| B | 24.5 ± 0.1   |
| C | 15.85 ± 0.25 |
| D | 25.5 ± 0.5   |
| E | 12.6 ± 0.2   |
| F | 17.1 ± 0.3   |
| H | 29.25 ± 0.55 |
| I | 5.0±0.1      |



**Test conditions**

AL: F=10.0KHz U=0.3V N=10Ts

**Effective parameter**

| C1(mm) <sup>-1</sup> | Ae(mm <sup>2</sup> ) | Le(mm) | Ve(mm <sup>3</sup> ) | Weight(g) |
|----------------------|----------------------|--------|----------------------|-----------|
| 0.388                | 146                  | 56.6   | 8340                 | ≈46.0     |

Core sets for general purpose transformers and Power applications.

Clamping force for Al measurements, 70+/-20N.

| Grade | AL (nH)    | $\mu e$ | AIR GAP $\mu m$ | Type number |
|-------|------------|---------|-----------------|-------------|
| P3    | 160 ± 3%   | ≈ 49    | ≈ 1570          | RM12-P3     |
|       | 250 ± 3%   | ≈ 77    | ≈ 900           | RM12-P3     |
|       | 315 ± 5%   | ≈ 97    | ≈ 680           | RM12-P3     |
|       | 400 ± 5%   | ≈ 123   | ≈ 510           | RM12-P3     |
|       | 630 ± 5%   | ≈ 194   | ≈ 300           | RM12-P3     |
|       | 5600 ± 25% | ≈ 1730  | ≈ 0             | RM12-P3     |
| P4    | 160 ± 3%   | ≈ 49    | ≈ 1570          | RM12-P4     |
|       | 250 ± 3%   | ≈ 77    | ≈ 900           | RM12-P4     |
|       | 315 ± 5%   | ≈ 97    | ≈ 680           | RM12-P4     |
|       | 400 ± 5%   | ≈ 123   | ≈ 510           | RM12-P4     |
|       | 630 ± 5%   | ≈ 194   | ≈ 300           | RM12-P4     |
|       | 5600 ± 25% | ≈ 1730  | ≈ 0             | RM12-P4     |
| HQ2KA | 5050 ± 25% | ≈ 1560  | ≈ 0             | RM12-HQ2KA  |
| HQ2K  | 160 ± 3%   | ≈ 49    | ≈ 1570          | RM12-HQ2K   |
|       | 250 ± 3%   | ≈ 77    | ≈ 900           | RM12-HQ2K   |
|       | 315 ± 5%   | ≈ 97    | ≈ 680           | RM12-HQ2K   |
|       | 400 ± 5%   | ≈ 123   | ≈ 510           | RM12-HQ2K   |
|       | 630 ± 5%   | ≈ 194   | ≈ 300           | RM12-HQ2K   |
|       | 5050 ± 25% | ≈ 1560  | ≈ 0             | RM12-HQ2K   |

**Properties of core sets under power conditions**

| Grade | B (mT)at                        | Core loss (w) at                |                                  |                                  |                                 |
|-------|---------------------------------|---------------------------------|----------------------------------|----------------------------------|---------------------------------|
|       | H=250 A/m<br>F=25KHz<br>T=100°C | F=25 KHz<br>B̂=200mT<br>T=100°C | f=100 KHz<br>B̂=100mT<br>T=100°C | F=100 KHz<br>B̂=200mT<br>T=100°C | F=400 KHz<br>B̂=50mT<br>T=100°C |
| P3    | ≥315                            | ≤1.0                            | ≤1.1                             | -                                | -                               |
| P4    | ≥315                            | -                               | ≤0.8                             | ≤4.5                             | -                               |
| HQ2KA | ≥340                            | -                               | ≤0.6                             | ≤3.6                             | ≤1.5                            |
| HQ2K  | ≥315                            | -                               | ≤0.92                            | -                                | ≤1.6                            |

**Properties of core sets under power conditions (continued)**

| Grade | B (mT)at                        | Core loss (w) at                |                                  |                                 |                                 |                                |
|-------|---------------------------------|---------------------------------|----------------------------------|---------------------------------|---------------------------------|--------------------------------|
|       | H=250 A/m<br>F=25KHz<br>T=100°C | F=500 KHz<br>B̂=50mT<br>T=100°C | F=500 KHz<br>B̂=100mT<br>T=100°C | F=1.0 MHz<br>B̂=30mT<br>T=100°C | F=1.0 MHz<br>B̂=50mT<br>T=100°C | F=3.0MHz<br>B̂=10mT<br>T=100°C |
| P3    | ≥315                            | -                               | -                                | -                               | -                               | -                              |
| P4    | ≥315                            | -                               | -                                | -                               | -                               | -                              |
| HQ2KA | ≥340                            | ≤3.0                            | -                                | -                               | -                               | -                              |
| HQ2K  | ≥315                            | -                               | -                                | -                               | -                               | -                              |

**Note:**

- 1: Document is the property of FUAN Inc & is not allow to be duplicated without authorization
- 2: RoHS compliant.