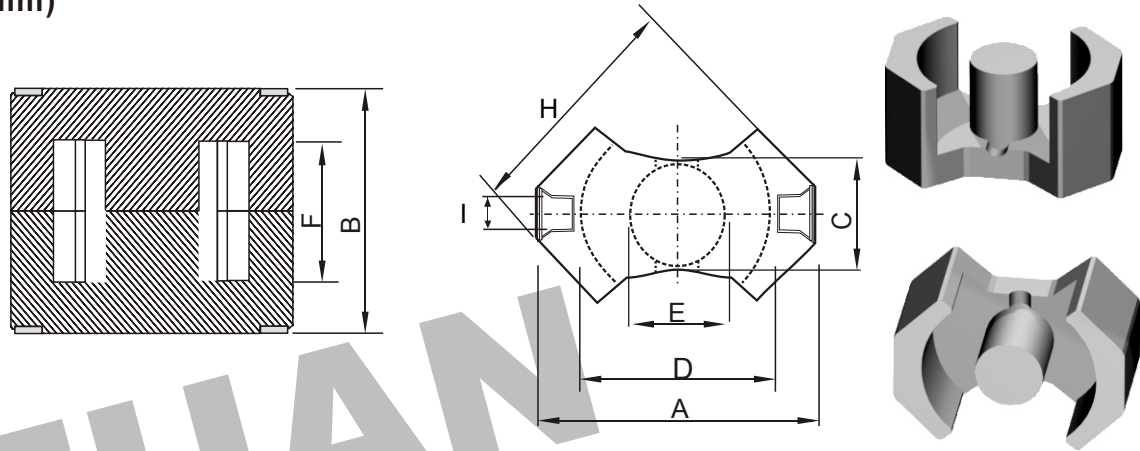


**Dimension: (UNIT:mm)**

A	14.9MAX
B	10.4 ± 0.1
C	6.6 ± 0.2
D	10.4 ± 0.2
E	4.8 ± 0.1
F	6.5 ± 0.2
H	12.05 ± 0.25
I	2.5±0.1



**Test conditions**

AL: F=10.0KHz U=0.3V N=10Ts

**Effective parameter**

C1(mm) <sup>-1</sup>	Ae(mm <sup>2</sup> )	Le(mm)	Ve(mm <sup>3</sup> )	Weight(g)
0.935	24.8	23.2	574	≈3.2

Core sets for general purpose transformers and Power applications.

Clamping force for Al measurements, 12+/-5N.

Grade	AL (nH)	$\mu e$	AIR GAP $\mu m$	Type number
P3	63 ± 3%	≈ 47	≈ 680	RM5-P3
	100 ± 3%	≈ 74	≈ 380	RM5-P3
	160 ± 3%	≈ 119	≈ 220	RM5-P3
	250 ± 3%	≈ 186	≈ 130	RM5-P3
	315 ± 5%	≈ 234	≈ 100	RM5-P3
	2000 ± 25%	≈ 1490	≈ 0	RM5-P3
P4	63 ± 3%	≈ 47	≈ 680	RM5-P4
	100 ± 3%	≈ 74	≈ 380	RM5-P4
	160 ± 3%	≈ 119	≈ 220	RM5-P4
	250 ± 3%	≈ 186	≈ 130	RM5-P4
	315 ± 5%	≈ 234	≈ 100	RM5-P4
	2000 ± 25%	≈ 1490	≈ 0	RM5-P4
HQ2KA	1800 ± 25%	≈ 1340	≈ 0	RM5-HQ2KA
HQ2K	63 ± 3%	≈ 47	≈ 680	RM5-HQ2K
	100 ± 3%	≈ 74	≈ 380	RM5-HQ2K
	160 ± 3%	≈ 119	≈ 220	RM5-HQ2K
	250 ± 3%	≈ 186	≈ 130	RM5-HQ2K
	315 ± 5%	≈ 234	≈ 100	RM5-HQ2K
	1700 ± 25%	≈ 1270	≈ 0	RM5-HQ2K
P5	1300 ± 25%	≈ 970	≈ 0	RM5-P5

Core sets of high permeability grades.  
 Clamping force for Al measurements, 12+/-5N

Grade	AL (nH)	$\mu e$	AIR GAP $\mu m$	Type number
H7K	4975+40/-30%	≈3700	≈0	RM5-H7K
H10K	6700+40/-30%	≈4990	≈0	RM5-H10K
H12K	8500+40/-30%	≈6330	≈0	RM5-H12K

**Properties of core sets under power conditions**

Grade	B (mT)at		Core loss (w) at			
	H=250 A/m F=25KHz T=100°C	F=25 KHz Ḃ=200mT T=100°C	f=100 KHz Ḃ=100mT T=100°C	F=100 KHz Ḃ=200mT T=100°C	F=400 KHz Ḃ=50mT T=100°C	
P3	≥320	≤0.07	≤0.08	-	-	
P4	≥320	-	≤0.06	≤0.32	-	
HQ2KA	≥340	-	≤0.04	≤0.24	≤0.11	
HQ2K	≥315	-	≤0.08	-	≤0.11	
P5	≥300	-	-	-	≤0.06	

**Properties of core sets under power conditions (continued)**

Grade	B (mT)at		Core loss (w) at			
	H=250 A/m F=25KHz T=100°C	F=500 KHz Ḃ=50mT T=100°C	F=500 KHz Ḃ=100mT T=100°C	F=1.0 MHz Ḃ=30mT T=100°C	F=1.0 MHz Ḃ=50mT T=100°C	F=3.0MHz Ḃ=10mT T=100°C
P3	≥320	-	-	-	-	
P4	≥320	-	-	-	-	
HQ2KA	≥340	≤0.22	-	-	-	
HQ2K	≥315	-	-	-	-	
P5	≥300	≤0.08	≤0.7	-	-	

**Note:**

- 1: Document is the property of FUAN Inc & is not allow to be duplicated without authorization
- 2: RoHS compliant.