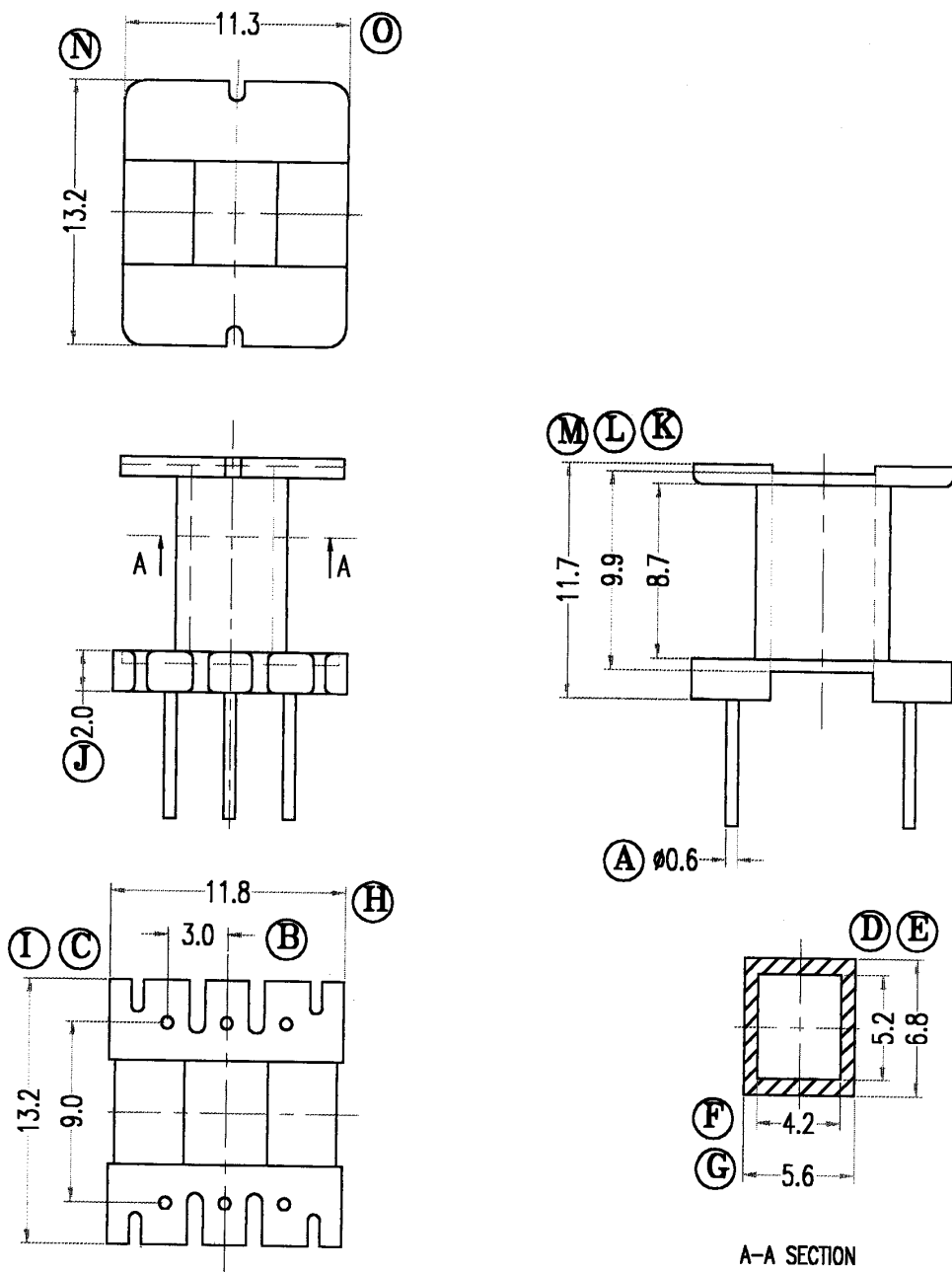


BOBBIN

STYLE : EE-16C (6P)

FIGURE :

T1604



MATERIAL :	PHENOLIC
PIN MATERIAL :	CP WIRE
UL RECOGNITION :	94V-0
UNIT :	MM
TOLERANCE : X.X	+/- 0.2 MM
XX.X	+/- 0.3 MM

FAR EAST ELECTRONICS CO.
G/F., NO. 9D Gresson Street, Wan Chai, Hong Kong
Fax: (852) 2529-5804 E-mail: info@electron.com.hk