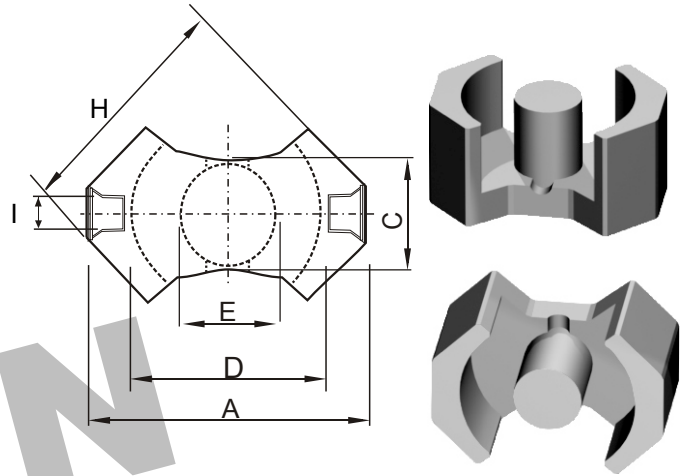
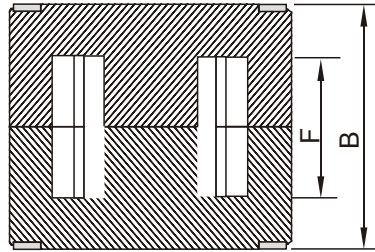


Dimension: (UNIT:mm)

A	17.55 ± 0.35
B	12.4 ± 0.1
C	8.0 ± 0.2
D	12.65 ± 0.25
E	6.3 ± 0.1
F	8.2 ± 0.2
H	15.0 ± 0.3
I	2.9±0.1



Test conditions

AL: F=10.0KHz U=0.3V N=10Ts

Effective parameter

C1(mm) ⁻¹	Ae(mm ²)	Le(mm)	Ve(mm ³)	Weight(g)
0.784	37.0	29.2	1090	≈5.5

Core sets for general purpose transformers and Power applications.

Clamping force for Al measurements,20+/-10N.

Grade	AL (nH)	μe	AIR GAP μm	Type number
P3	63 ± 3%	≈ 40	≈ 1080	RM6-P3
	100 ± 3%	≈ 63	≈ 600	RM6-P3
	160 ± 3%	≈ 100	≈ 340	RM6-P3
	250 ± 3%	≈ 157	≈ 200	RM6-P3
	315 ± 3%	≈ 198	≈ 150	RM6-P3
	400 ± 3%	≈ 251	≈ 110	RM6-P3
	630 ± 5%	≈ 396	≈ 65	RM6-P3
	2600 ± 25%	≈ 1630	≈ 0	RM6-P3
P4	63 ± 3%	≈ 40	≈ 1080	RM6-P4
	100 ± 3%	≈ 63	≈ 600	RM6-P4
	160 ± 3%	≈ 100	≈ 340	RM6-P4
	250 ± 3%	≈ 157	≈ 200	RM6-P4
	315 ± 3%	≈ 198	≈ 150	RM6-P4
	400 ± 3%	≈ 251	≈ 110	RM6-P4
	630 ± 5%	≈ 396	≈ 65	RM6-P4
	2600 ± 25%	≈ 1630	≈ 0	RM6-P4
HQ2KA	2350 ± 25%	≈ 1470	≈ 0	RM6-HQ2KA
HQ2K	63 ± 3%	≈ 40	≈ 1080	RM6-HQ2K
	100 ± 3%	≈ 63	≈ 600	RM6-HQ2K
	160 ± 3%	≈ 100	≈ 340	RM6-HQ2K
	250 ± 3%	≈ 157	≈ 200	RM6-HQ2K
	315 ± 5%	≈ 198	≈ 150	RM6-HQ2K
	2150 ± 25%	≈ 1350	≈ 0	RM6-HQ2K
P5	1750 ± 25%	≈ 1100	≈ 0	RM6-P5

Core sets of high permeability grades.
Clamping force for Al measurements,20+/-10N

Grade	AL (nH)	μe	AIR GAP μm	Type number
H7K	6000+40/-30%	≈3770	≈0	RM6-H7K
H10K	8600+40/-30%	≈5400	≈0	RM6-H10K
H12K	11000+40/-30%	≈6910	≈0	RM6-H12K

Properties of core sets under power conditions

Grade	B (mT)at H=250 A/m F=25KHz T=100°C	Core loss (w) at			
		F=25 KHz Ḃ=200mT T=100°C	f=100 KHz Ḃ=100mT T=100°C	F=100 KHz Ḃ=200mT T=100°C	F=400 KHz Ḃ=50mT T=100°C
P3	≥320	≤0.13	≤0.14	-	-
P4	≥320	-	≤0.11	≤0.6	-
HQ2KA	≥340	-	≤0.08	≤0.4	≤0.2
HQ2K	≥315	-	≤0.14	-	≤0.2
P5	≥315	-	-	-	≤0.12

Properties of core sets under power conditions (continued)

Grade	B (mT)at H=250 A/m F=25KHz T=100°C	Core loss (w) at			
		F=500 KHz Ḃ=50mT T=100°C	F=500 KHz Ḃ=100mT T=100°C	F=1.0 MHz Ḃ=30mT T=100°C	F=1.0 MHz Ḃ=50mT T=100°C
P3	≥320	-	-	-	-
P4	≥320	-	-	-	-
HQ2KA	≥340	≤0.5	-	-	-
HQ2K	≥315	-	-	-	-
P5	≥315	≤0.16	≤1.3	-	-

Note:

- 1:Document is the property of FUAN Inc & is not allow to be duplicated without authorization
- 2:RoHS compliant.