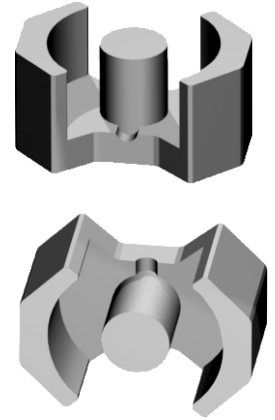
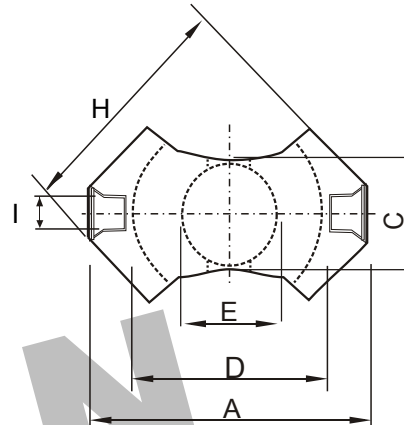
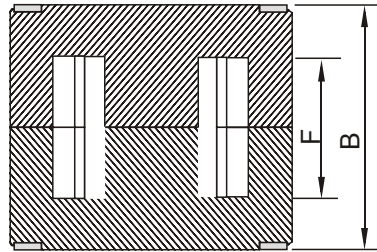


Dimension: (UNIT:mm)

A	22.75 ± 0.45
B	16.4 ± 0.1
C	10.75 ± 0.25
D	17.3 ± 0.3
E	8.4 ± 0.15
F	11.0 ± 0.2
H	19.7-0.8



Test conditions

AL: F=10.0KHz U=0.3V N=10Ts

Effective parameter

C1(mm) ⁻¹	Ae(mm ²)	Le(mm)	Ve(mm ³)	Weight(g)
0.604	63.0	38.4	2440	≈13

Core sets of high permeability grades.
Clamping force for Al measurements, 30+/-10N

Grade	AL (nH)	μe	AIR GAP μm	Type number
H7K	8000+40/-30%	≈3880	≈0	RM8-H7K
H10K	12500+40/-30%	≈6060	≈0	RM8-H10K
H12K	15500+40/-30%	≈7520	≈0	RM8-H12K

Core sets for general purpose transformers and Power applications.

Clamping force for Al measurements, 30+/-10N.

Grade	AL (nH)	μe	AIR GAP μm	Type number
P3	100 ± 3%	≈ 49	≈ 1100	RM8-P3
	160 ± 3%	≈ 78	≈ 610	RM8-P3
	250 ± 3%	≈ 121	≈ 360	RM8-P3
	315 ± 3%	≈ 153	≈ 270	RM8-P3
	400 ± 3%	≈ 194	≈ 200	RM8-P3
	3300 ± 25%	≈ 1600	≈ 0	RM8-P3
P4	100 ± 3%	≈ 49	≈ 1100	RM8-P4
	160 ± 3%	≈ 78	≈ 610	RM8-P4
	250 ± 3%	≈ 121	≈ 360	RM8-P4
	315 ± 3%	≈ 153	≈ 270	RM8-P4
	400 ± 3%	≈ 194	≈ 200	RM8-P4
	3300 ± 25%	≈ 1600	≈ 0	RM8-P4
HQ2KA	3000 ± 25%	≈ 1440	≈ 0	RM8-HQ2KA
HQ2K	100 ± 3%	≈ 49	≈ 1100	RM8-HQ2K
	160 ± 3%	≈ 78	≈ 610	RM8-HQ2K
	250 ± 3%	≈ 121	≈ 360	RM8-HQ2K
	315 ± 3%	≈ 153	≈ 270	RM8-HQ2K
	400 ± 3%	≈ 194	≈ 200	RM8-HQ2K
	3000 ± 25%	≈ 1440	≈ 0	RM8-HQ2K
P5	2400 ± 25%	≈ 1510	≈ 0	RM8-P5

Properties of core sets under power conditions

Grade	B (mT) at		Core loss (w) at			
	H=250 A/m F=25KHz T=100°C	F=25 KHz B̂=200mT T=100°C	f=100 KHz B̂=100mT T=100°C	F=100 KHz B̂=200mT T=100°C	F=400 KHz B̂=50mT T=100°C	
P3	≥320	≤0.30	≤0.31	-	-	
P4	≥320	-	≤0.23	≤1.2	-	
HQ2KA	≥340	-	≤0.17	≤1.0	≤0.43	
HQ2K	≥315	-	≤0.27	-	≤0.47	
P5	≥315	-	-	-	≤0.25	

Properties of core sets under power conditions (continued)

Grade	B (mT) at		Core loss (w) at			
	H=250 A/m F=25KHz T=100°C	F=500 KHz B̂=50mT T=100°C	F=500 KHz B̂=100mT T=100°C	F=1.0 MHz B̂=30mT T=100°C	F=1.0 MHz B̂=50mT T=100°C	F=3.0MHz B̂=10mT T=100°C
P3	≥320	-	-	-	-	
P4	≥320	-	-	-	-	
HQ2KA	≥340	≤0.9	-	-	-	
HQ2K	≥315	-	-	-	-	
P5	≥315	≤0.37	≤2.6	-	-	

Note:

- 1: Document is the property of FUAN Inc & is not allow to be duplicated without authorization
- 2: RoHS compliant.